

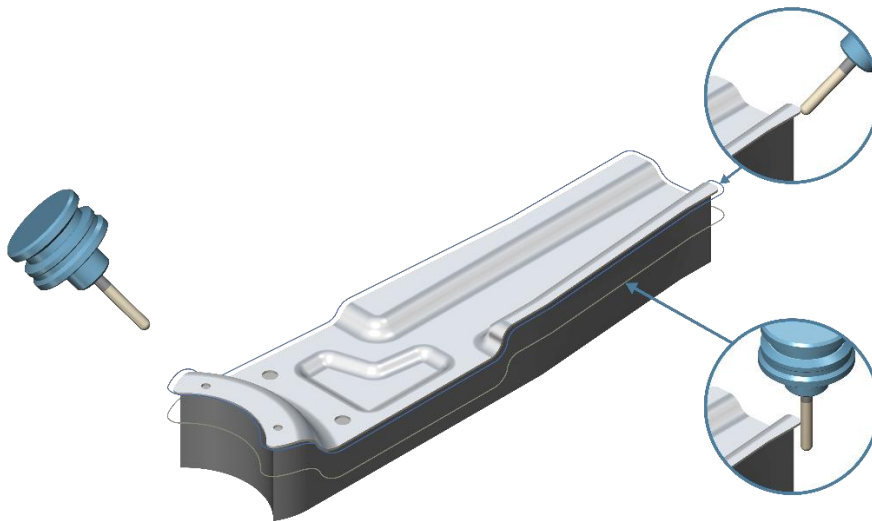


## ModuleWorks Releases 2023.08 Software Components

ModuleWorks announces the 2023.08 release of its digital manufacturing software components. This is the second major ModuleWorks release of 2023 with new features and enhancements across the entire product range, including 5-axis machining, laser aided manufacturing, PrimeTurning™ and CNC simulation as well as a new product for 3D points probing.

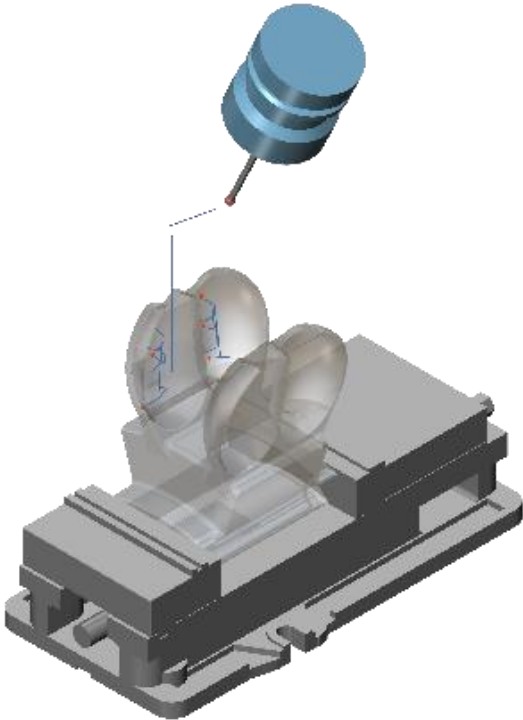
### User-Defined Tool Contact Point for 5-Axis Machining

For wireframe 5-axis machining with sphere mills, users can now define which part of the tool is in contact with the drive curve. For example, cutting with the cylindrical part of the flute enables the tool to withstand greater forces and may be more suitable for cutting through certain materials. It can also help to prolong tool life. Cutting with the cylinder can also allow faster cutting speeds for applications that do not require high precision. When high levels of accuracy are needed, users can choose to cut with the tip of the tool.



### 3D Points Probing

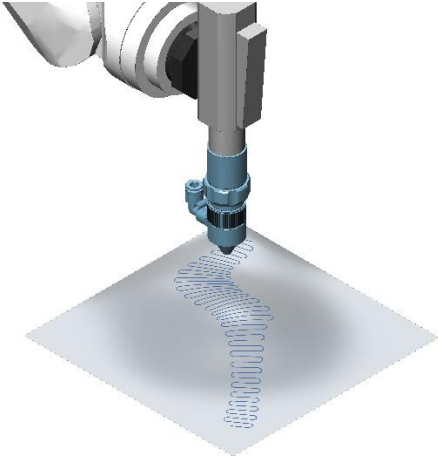
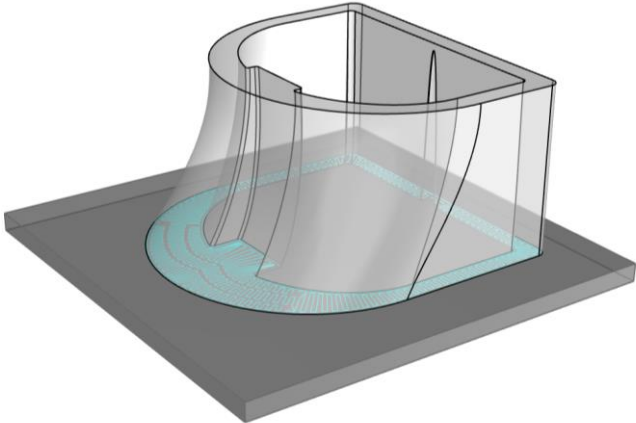
The first version of the new ModuleWorks Probing product offers 3D touch point probing. Users pick any points on a part. The system automatically recognizes the part geometry and calculates a probing toolpath with collision-free approach and retract motions. The toolpath can be exported as a canned cycle compatible with the native probing cycle on the CNC control.



**Laser Aided Manufacturing - Weaving with Automatic Amplitude Adjustment**

Weaving patterns bolster the strength of parts and add aesthetic appeal to products. The new ModuleWorks weaving toolpath automatically adjusts the amplitude of the pattern as the width of the wall varies. This eliminates the need for manual adjustments, which speeds up deposition and ensures consistent build-up along the entire wall.

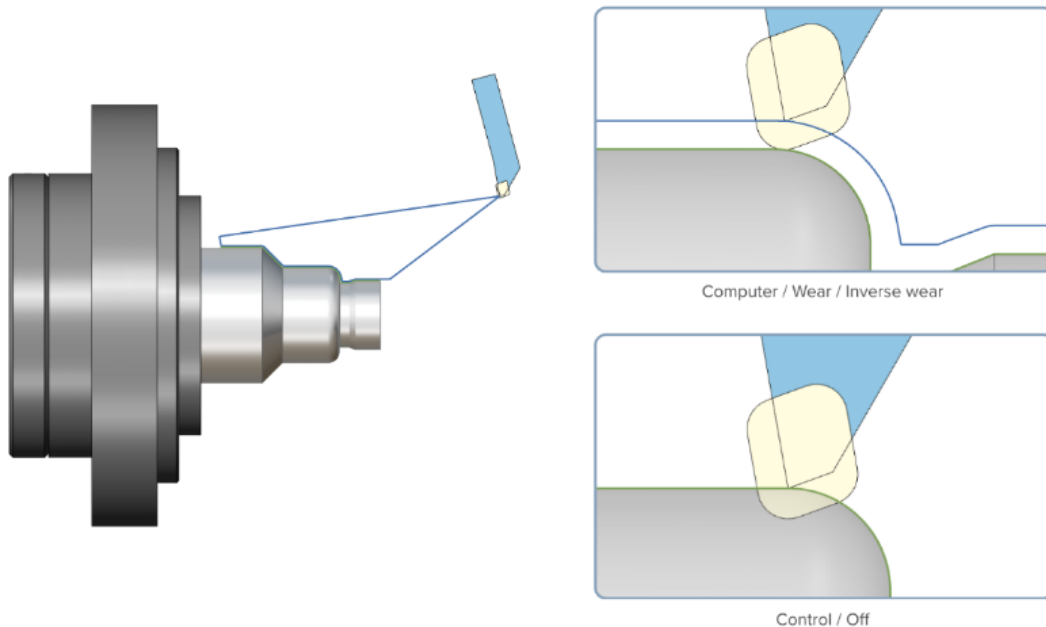
Intelligent point distribution on the weaving track generates uninterrupted feed motions and the toolpath calculation automatically applies collision avoidance to the weaving pattern to generate safe, efficient toolpaths for freeform and non-freeform geometries.





## PrimeTurning™ – Tool Nose Radius Compensation

New cutter compensation options give users flexibility and control over the post-processor output of PrimeTurning™ operations.

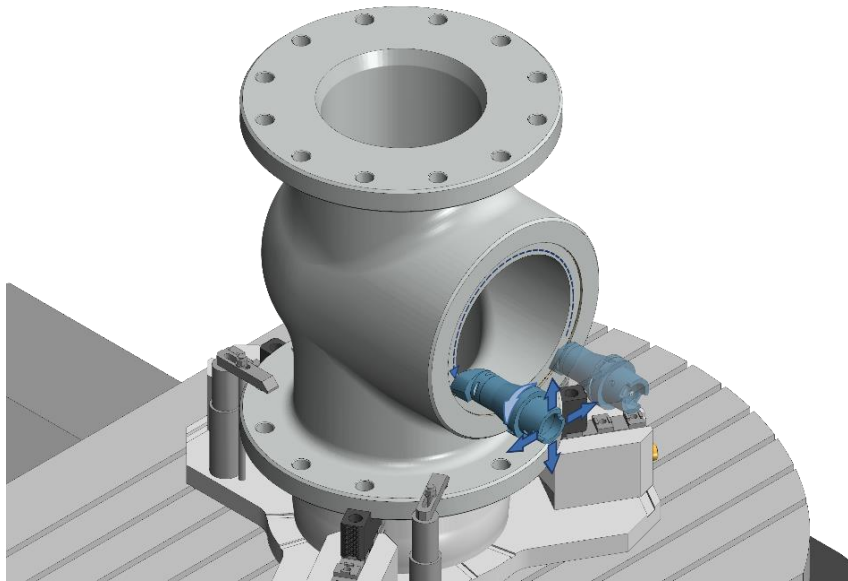


Users can choose from four compensation types:

- **Computer:** Compensation is performed automatically during the toolpath calculation. The post-processed output contains compensated moves without G40/41/42 commands.
- **Control:** Compensation is not performed during the toolpath calculation. G40/41/42 commands are added to the post-processed output. This enables the CNC operator to define compensation values directly on the machine.
- **Wear / Inverse Wear:** Compensation is performed automatically during the toolpath calculation and G40/41/42 commands are added to the post-processed output. This allows machine operators to adjust the compensated toolpath according to tool wear.
- **Off:** Compensation is not applied and the resulting toolpath corresponds to the input contour.

## CNC Simulation - Interpolation Turning

In interpolation turning, a cutting operation is performed on a stationary workpiece through simultaneous interpolation of multiple linear axes and the tool spindle position. This method is especially useful for large, non-symmetrical parts. A new option in the ModuleWorks CNC Simulation now enables interpolation turning operations to be simulated directly on the CNC control.



The ModuleWorks 2023.08 release is available now for download from the [ModuleWorks website](#).

Further details about the ModuleWorks 2023.08 release are available in the latest ModuleWorks YouTube videos: [What's New in ModuleWorks 2023.08](#)

## About ModuleWorks



[ModuleWorks](#) is the leading software component provider for the digital manufacturing industry. With over 200 employees and 1500 person-years of software development, ModuleWorks' expertise in toolpath creation and simulation is recognized throughout the industry and its software components are already optimizing the performance and quality of over 500,000 installed seats of CAD/CAM and CNC software around the world. From standard products to exclusive development projects, ModuleWorks helps companies to bring their vision of Industry 4.0 to life. With its comprehensive portfolio of cutting-edge software components, ModuleWorks enables its customers to optimize their CAD/CAM solutions and connect to CNC/MTB systems to increase their competitiveness and help them Get There Faster.